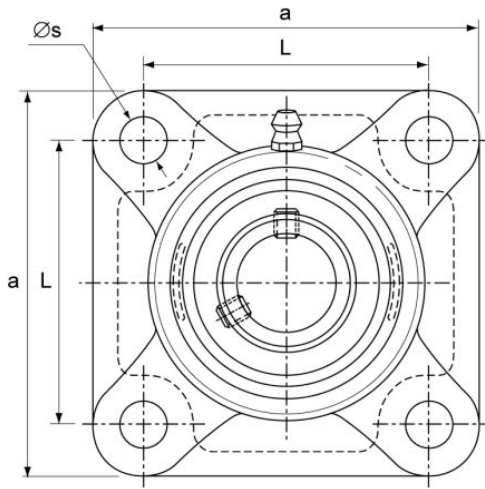
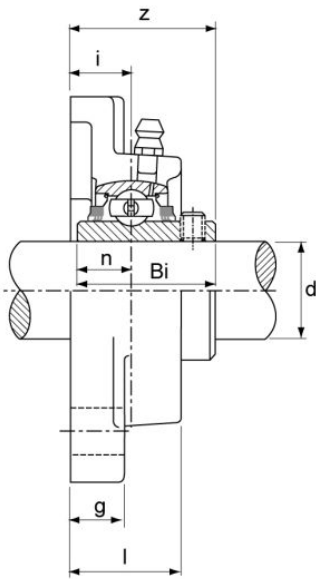


Flange Units

UCF 200 4 Hole Flange Units

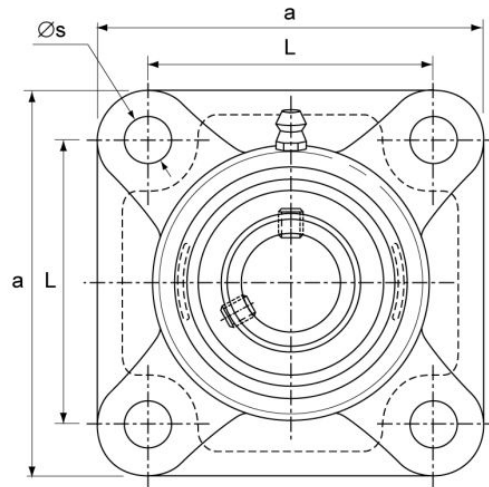
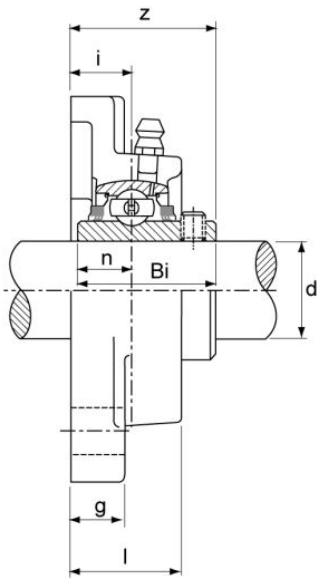


UCF 200 4 Hole Flange Units (Normal Duty)

Bearing Unit	Shaft Dia.		a	L	i	g	l	Øs	z	Bi	n	Bolt Size		Insert No.	Housing No.	Weight kg
	d inch	d mm										inch	mm			
UCF 204	3/4	20	86	64	15	12	25.5	12	33.3	31.0	12.7	3/8	M10	UC 204	F 204	0.6
UCF 204-12		20	86	64	15	12	25.5	12	33.3	31.0	12.7		M10	UC 204-12	F 204	0.6
UCF 205	1	25	95	70	16	14	27	12	35.7	34.0	14.3	3/8	M10	UC 205	F 205	0.8
UCF 205-16		25	95	70	16	14	27	12	35.7	34.0	14.3		M10	UC 205-16	F 205	0.8
UCF 206	1-1/8	30	108	83	18	14	31	12	40.2	38.1	15.9	3/8	M10	UC 206	F 206	1.1
UCF 206-18		30	108	83	18	14	31	12	40.2	38.1	15.9		M10	UC 206-18	F 206	1.1
UCF 207	1-1/4	35	117	92	19	16	34	14	44.4	42.9	17.5	7/16	M12	UC 207	F 207	1.5
UCF 207-20		35	117	92	19	16	34	14	44.4	42.9	17.5		M12	UC 207-20	F 207	1.5
UCF 207-22	1-3/8	35	117	92	19	16	34	14	44.4	42.9	17.5	7/16	M12	UC 207-22	F 207	1.5
UCF 208	1-1/2	40	130	102	21	16	36	16	51.2	49.2	19.0	1/2	M14	UC 208	F 208	1.9
UCF 208-24		40	130	102	21	16	36	16	51.2	49.2	19.0		M14	UC 208-24	F 208	1.9
UCF 209	1-3/4	45	137	105	22	18	38	16	52.2	49.2	19.0	1/2	M14	UC 209	F 209	2.3
UCF 209-28		45	137	105	22	18	38	16	52.2	49.2	19.0		M14	UC 209-28	F 209	2.3
UCF 210	2	50	143	111	22	18	40	16	54.6	51.6	19.0	1/2	M14	UC 210	F 210	2.5
UCF 210-32		50	143	111	22	18	40	16	54.6	51.6	19.0		M14	UC 210-32	F 210	2.5
UCF 211	2	55	162	130	25	20	43	19	58.4	55.6	22.2	5/8	M16	UC 211	F 211	3.4
UCF 211-32		55	162	130	25	20	43	19	58.4	55.6	22.2		M16	UC 211-32	F 211	3.4
UCF 212	2-1/4	60	175	143	29	20	48	19	68.7	65.1	25.4	5/8	M16	UC 212	F 212	4.4
UCF 212-36		60	175	143	29	20	48	19	68.7	65.1	25.4		M16	UC 212-36	F 212	4.4
UCF 213	2-1/2	65	187	149	30	20	50	19	69.7	65.1	25.4	5/8	M16	UC 213	F 213	5.3
UCF 213-40		65	187	149	30	20	50	19	69.7	65.1	25.4		M16	UC 213-40	F 213	5.3
UCF 214	2-3/4	70	193	152	31	24	54	19	75.4	74.6	30.2	5/8	M16	UC 214	F 214	6.0
UCF 214-44		70	193	152	31	24	54	19	75.4	74.6	30.2		M16	UC 214-44	F 214	6.0
UCF 215	3	75	200	159	35	24	57	19	79.5	77.8	33.3	5/8	M16	UC 215	F 215	6.6
UCF 215-48		75	200	159	35	24	57	19	79.5	77.8	33.3		M16	UC 215-48	F 215	6.6
UCF 216	3	80	208	165	35	24	59	23	84.3	82.6	33.3	M20	UC 216	F 216	7.5	

Flange Units

UCFX 00 4 Hole Flange Units



UCFX 00 4 Hole Flange Units (Medium Duty)

Bearing Unit	Shaft Dia.		a	L	i	g	l	Øs	z	Bi	n	Bolt Size		Insert No.	Housing No.	Weight kg
	d inch	d mm										inch	mm			
UCFX 05	1	25	108	83	18	13	30	12	40.2	38.1	15.9	3/8	M10	UCX 05	FX 05	1.1
UCFX 05-16		30	117	92	19	14	34	16	44.4	42.9	17.5		M14	UCX 06		
UCFX 06	1-1/4	30	117	92	19	14	34	16	44.4	42.9	17.5	1/2	M14	UCX 06	FX 06	1.4
UCFX 06-20		35	130	102	21	14	38	16	51.2	49.2	19.0		M14	UCX 07		
UCFX 07	1-1/4	35	130	102	21	14	38	16	51.2	49.2	19.0	1/2	M16	UCX 07-20	FX 07	1.9
UCFX 07-22														UCX 07-22		
UCFX 08	1-1/2	40	137	105	22	14	40	19	52.2	49.2	19.0	5/8	M16	UCX 08	FX 08	2.1
UCFX 08-24		45	143	111	23	14	40	19	55.6	51.6	19.0		M16	UCX 09		
UCFX 09	1-3/4	45	143	111	23	14	40	19	55.6	51.6	19.0	5/8	M16	UCX 09-28	FX 09	2.5
UCFX 09-28		50	162	130	26	20	44	19	59.4	55.6	22.2		M16	UCX 10		
UCFX 10	2	50	162	130	26	20	44	19	59.4	55.6	22.2	5/8	M16	UCX 10-32	FX 10	3.6
UCFX 10-32		55	175	143	29	20	49	19	68.7	65.1	25.4		M16	UCX 11		
UCFX 11	2-1/4	55	175	143	29	20	49	19	68.7	65.1	25.4	5/8	M16	UCX 11-36	FX 11	4.7
UCFX 11-36		60	187	149	34	21	59	19	73.7	65.1	25.4		M16	UCX 12		
UCFX 12	2-1/4	60	187	149	34	21	59	19	73.7	65.1	25.4	5/8	M16	UCX 12-36	FX 12	5.5
UCFX 12-36		65	187	149	34	21	59	19	78.4	74.6	30.2		M16	UCX 13		
UCFX 13	2-1/2	65	187	149	34	21	59	19	78.4	74.6	30.2	5/8	M16	UCX 13-40	FX 13	5.9
UCFX 13-40		70	197	152	37	24	60	23	81.5	77.8	33.3		M20	UCX 14		
UCFX 14	2-3/4	70	197	152	37	24	60	23	81.5	77.8	33.3	3/4	M20	UCX 14-44	FX 14	7.3
UCFX 14-44		75	197	152	40	24	68	23	89.3	82.6	33.3		M20	UCX 15		
UCFX 15	3	75	197	152	40	24	68	23	89.3	82.6	33.3	3/4	M20	UCX 15-48	FX 15	8.0
UCFX 15-48		80	214	171	40	24	70	23	91.6	85.7	34.1		M20	UCX 16		
UCFX 16		80	214	171	40	24	70	23	91.6	85.7	34.1		M20		FX 16	9.8

