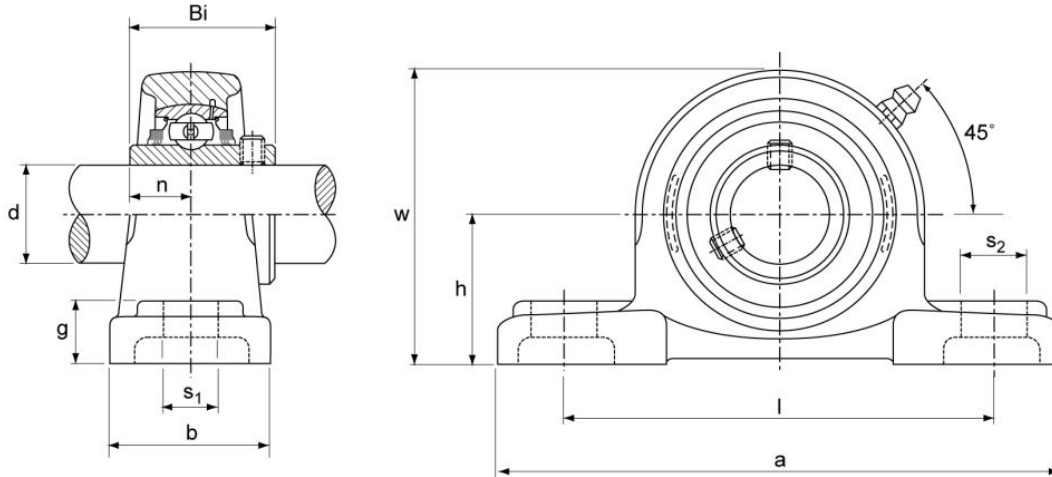


Pillow Blocks

UCP 200 Pillow Blocks

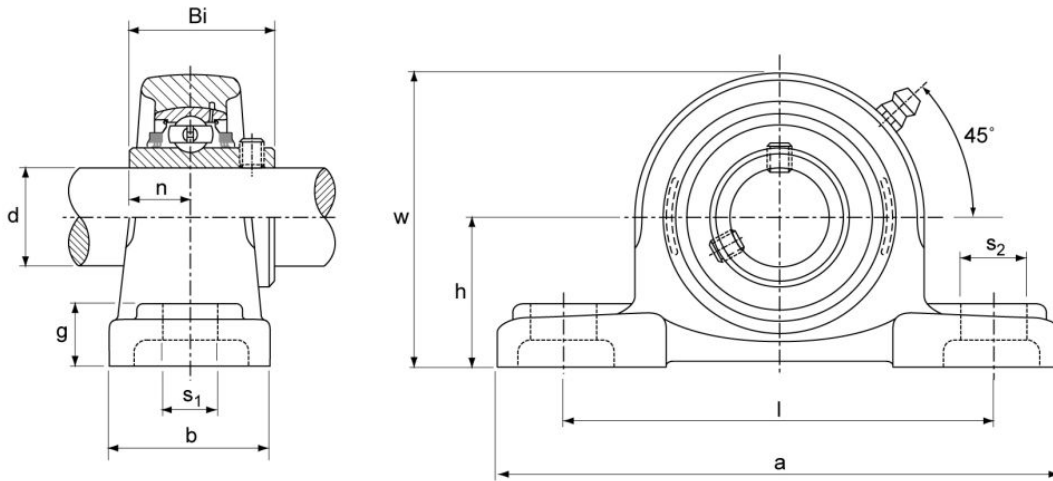


UCP 200 Pillow Blocks (Normal Duty)

| Bearing Unit | Shaft Dia. | | h | a | l | b | s ₂ | s ₁ | g | w | Bi | n | Bolt Size | | Insert No. | Housing No. | Weight kg |
|--------------|------------|------|------|-----|-----|----|----------------|----------------|----|-----|------|------|-----------|-----|------------|-------------|-----------|
| | d inch | d mm | | | | | | | | | | | inch | mm | | | |
| UCP 204 | 3/4 | 20 | 33.3 | 127 | 96 | 38 | 19 | 13 | 15 | 65 | 31.0 | 12.7 | 3/8 | M10 | UC 204 | P204 | 0.65 |
| UCP 204-12 | | | | | | | | | | | | | | | UC 204-12 | | |
| UCP 205 | 1 | 25 | 36.5 | 140 | 105 | 38 | 19 | 13 | 16 | 70 | 34.0 | 14.3 | 3/8 | M10 | UC 205 | P205 | 0.79 |
| UCP 205-16 | | | | | | | | | | | | | | | UC 205-16 | | |
| UCP 206 | 1-1/8 | 30 | 42.9 | 165 | 121 | 48 | 21 | 17 | 18 | 83 | 38.1 | 15.9 | 1/2 | M14 | UC 206 | P206 | 0.79 |
| UCP 206-18 | | | | | | | | | | | | | | | UC 206-18 | | |
| UCP 207 | 1-1/4 | 35 | 47.6 | 167 | 126 | 48 | 21 | 17 | 19 | 92 | 42.9 | 17.5 | 1/2 | M14 | UC 207 | P207 | 1.60 |
| UCP 207-20 | | | | | | | | | | | | | | | UC 207-20 | | |
| UCP 207-22 | 1-3/8 | | | | | | | | | | | | | | UC 207-22 | | |
| UCP 208 | 1-1/2 | 40 | 49.2 | 184 | 136 | 54 | 21 | 17 | 19 | 98 | 49.2 | 19.0 | 1/2 | M14 | UC 208 | P208 | 2.00 |
| UCP 208-24 | | | | | | | | | | | | | | | UC 208-24 | | |
| UCP 209 | 1-3/4 | 45 | 54.0 | 190 | 146 | 54 | 21 | 17 | 20 | 106 | 49.2 | 19.0 | 1/2 | M14 | UC 209 | P209 | 2.20 |
| UCP 209-28 | | | | | | | | | | | | | | | UC 209-28 | | |
| UCP 210 | 2 | 50 | 57.2 | 206 | 159 | 60 | 25 | 20 | 22 | 112 | 51.6 | 19.0 | 5/8 | M16 | UC 210 | P210 | 2.80 |
| UCP 210-32 | | | | | | | | | | | | | | | UC 210-32 | | |
| UCP 211 | 2 | 55 | 63.5 | 219 | 171 | 60 | 25 | 20 | 22 | 126 | 55.6 | 22.2 | 5/8 | M16 | UC 211 | P211 | 3.40 |
| UCP 211-32 | | | | | | | | | | | | | | | UC 211-32 | | |
| UCP 212 | 2-1/4 | 60 | 69.8 | 241 | 184 | 70 | 25 | 20 | 25 | 137 | 65.1 | 25.4 | 5/8 | M16 | UC 212 | P212 | 4.80 |
| UCP 212-36 | | | | | | | | | | | | | | | UC 212-36 | | |
| UCP 213 | 2-1/2 | 65 | 76.2 | 265 | 203 | 70 | 29 | 25 | 27 | 150 | 65.1 | 25.4 | 3/4 | M20 | UC 213 | P213 | 5.70 |
| UCP 213-40 | | | | | | | | | | | | | | | UC 213-40 | | |
| UCP 214 | 2-3/4 | 70 | 79.4 | 266 | 210 | 72 | 31 | 25 | 27 | 156 | 74.6 | 30.2 | 3/4 | M20 | UC 214 | P214 | 7.00 |
| UCP 214-44 | | | | | | | | | | | | | | | UC 214-44 | | |
| UCP 215 | 3 | 75 | 82.6 | 275 | 217 | 74 | 31 | 25 | 28 | 163 | 77.8 | 33.3 | 3/4 | M20 | UC 215 | P215 | 7.60 |
| UCP 215-48 | | | | | | | | | | | | | | | UC 215-48 | | |
| UCP 216 | | 80 | 88.9 | 292 | 232 | 78 | 31 | 25 | 30 | 175 | 82.6 | 33.3 | | M20 | UC 216 | P216 | 9.00 |

Pillow Blocks

UCPX 00 Pillow Blocks



UCPX 00 Pillow Block (Medium Duty)

| Bearing Unit | Shaft Dia. | | h | a | l | b | s ₂ | s ₁ | g | w | Bi | n | Bolt Size | | Insert No. | Housing No. | Weight kg |
|-------------------------------------|----------------|------|-------|-----|-----|-----|----------------|----------------|----|-----|------|------|-----------|-----|----------------------------------|-------------|-----------|
| | d inch | d mm | | | | | | | | | | | inch | mm | | | |
| UCPX 05 UCPX 05-16 | 1 | 25 | 44.4 | 159 | 119 | 51 | 25 | 17 | 18 | 85 | 38.1 | 15.9 | 1/2 | M14 | UCX 05 UCX 05-16 | PX 05 | 1.50 |
| UCPX 06 UCPX 06-20 | 1-1/4 | 30 | 47.6 | 175 | 127 | 57 | 25 | 17 | 20 | 94 | 42.9 | 17.5 | 1/2 | M14 | UCX 06 UCX 06-20 | PX 06 | 2.00 |
| UCPX 07 UCPX 07-20 UCPX 07-22 | 1-1/4 1-3/8 | 35 | 54.0 | 203 | 144 | 57 | 30 | 17 | 22 | 105 | 49.2 | 19.0 | 1/2 | M14 | UCX 07 UCX 07-20 UCX 07-22 | PX 07 | 2.70 |
| UCPX 08 UCPX 08-24 | 1-1/2 | 40 | 58.7 | 222 | 156 | 67 | 32 | 20 | 26 | 113 | 49.2 | 19.0 | 5/8 | M16 | UCX 08 UCX 08-24 | PX 08 | 3.50 |
| UCPX 09 UCPX 09-28 | 1-3/4 | 45 | 58.7 | 222 | 156 | 67 | 33 | 20 | 26 | 116 | 51.6 | 19.0 | 5/8 | M16 | UCX 09 UCX 09-28 | PX 09 | 3.60 |
| UCPX 10 UCPX 10-32 | 2 | 50 | 63.5 | 241 | 171 | 73 | 36 | 20 | 27 | 126 | 55.6 | 22.2 | 5/8 | M16 | UCX 10 UCX 10-32 | PX 10 | 4.40 |
| UCPX 11 UCPX 11-36 | 2-1/4 | 55 | 69.8 | 260 | 184 | 79 | 36 | 25 | 30 | 139 | 65.1 | 25.4 | 3/4 | M20 | UCX 11 UCX 11-36 | PX 11 | 6.30 |
| UCPX 12 UCPX 12-36 | 2-1/4 | 60 | 76.2 | 286 | 203 | 83 | 41 | 25 | 32 | 152 | 65.1 | 25.4 | 3/4 | M20 | UCX 12 UCX 12-36 | PX 12 | 7.40 |
| UCPX 13 UCPX 13-40 | 2-1/2 | 65 | 76.2 | 286 | 203 | 83 | 41 | 25 | 32 | 154 | 74.6 | 30.2 | 3/4 | M20 | UCX 13 UCX 13-40 | PX 13 | 7.70 |
| UCPX 14 UCPX 14-44 | 2-3/4 | 70 | 88.9 | 330 | 229 | 89 | 51 | 27 | 35 | 171 | 77.8 | 33.3 | 7/8 | M22 | UCX 14 UCX 14-44 | PX 14 | 10.60 |
| UCPX 15 UCPX 15-48 | 3 | 75 | 88.9 | 330 | 229 | 89 | 51 | 27 | 35 | 175 | 82.6 | 33.3 | 7/8 | M22 | UCX 15 UCX 15-48 | PX 15 | 11.10 |
| UCPX 16 | | 80 | 101.6 | 381 | 283 | 102 | 59 | 27 | 42 | 195 | 85.7 | 34.1 | | M22 | UCX 16 | PX 16 | 16.20 |