

Types AGF and AGFN Clutches assembled with End Flanges



Combination of AGF Series roller ramp clutches with a selection of end flanges provides a versatile range of clutches complete with own bearing support and integral lubrication system. Flanges can be combined as required to suit most applications, the following combinations being most common.

AGF-F1-F2

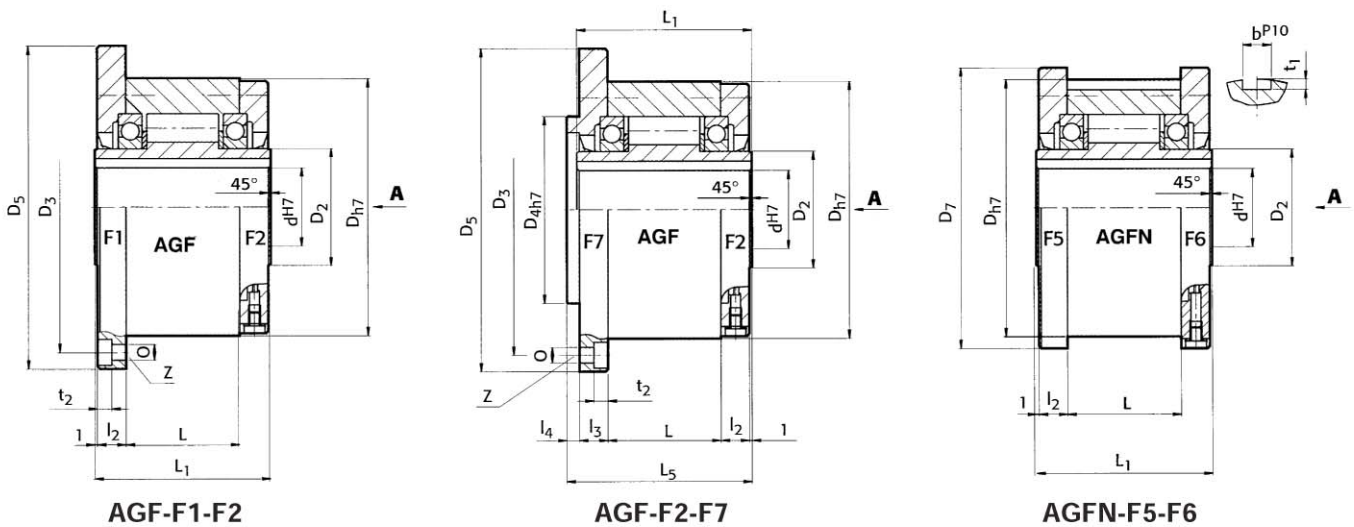
is most popular combination, enabling easy mounting of pulley, sprocket or gear on outer race. F2 flange enables re-lubrication.

AGF-F2-F7

is designed to enable connection of flexible couplings and universal joints. Can also be used to locate on m/c frame as backstop. In this application F4 cover could be used instead of F2 plate-ref. p. 12.

AGFN-F5-F6

enables simple fitting of gears, sprockets, pulleys, etc. with positive drive through key on outer race.



Dimensions (for dimensions D2 refer page 10).

| Clutch Sizes AGF or AGFN | Bore mm dh7 | Nom Torque Nm | Max Overrun Speed ⁽²⁾ | | Dimensions mm | | | | | | | | | | | | | | | | | Approx. Wt kg |
|--------------------------------|-------------------|---------------------|-------------------------------------|-------|---------------|-----|-----|-----|------|-----|------|----|-----|-----|-----|------|------|-----|-----|------|-------|---------------------|
| | | | inner | outer | Dh7 | D5 | D7 | D3 | D4h7 | O | t2 | Z | L1 | L5 | L | l2 | l3 | l4 | t1 | bp10 | | |
| AGF/AGFN 12 | 12* | 44 | 3100 | 4700 | 62 | 85 | 70 | 72 | 42 | 5.5 | 5.7 | 3 | 42 | 44 | 20 | 10 | 10 | 3 | 2.5 | 4 | 1.2 | |
| AGF/AGFN 15 | 15 | 100 | 2800 | 4400 | 68 | 92 | 76 | 78 | 47 | 5.5 | 5.7 | 3 | 52 | 54 | 28 | 11 | 11 | 3 | 3 | 5 | 1.6 | |
| AGF/AGFN 20 | 20 | 145 | 2400 | 4100 | 75 | 98 | 84 | 85 | 55 | 5.5 | 5.7 | 4 | 57 | 59 | 34 | 10.5 | 10.5 | 3 | 3.5 | 6 | 1.9 | |
| AGF/AGFN 25 | 25 | 230 | 1600 | 3800 | 90 | 118 | 99 | 104 | 68 | 6.6 | 6.8 | 4 | 60 | 62 | 35 | 11.5 | 11.5 | 3 | 4 | 8 | 2.9 | |
| AGF/AGFN 30 | 30 | 400 | 1300 | 2800 | 100 | 128 | 109 | 114 | 75 | 6.6 | 6.8 | 6 | 68 | 70 | 43 | 11.5 | 11.5 | 3 | 4 | 8 | 3.9 | |
| AGF/AGFN 35 | 35 | 580 | 1200 | 2600 | 110 | 140 | 119 | 124 | 80 | 6.6 | 6.8 | 6 | 74 | 76 | 45 | 13.5 | 13 | 3.5 | 5 | 10 | 4.9 | |
| AGF/AGFN 40 | 40 | 820 | 850 | 2300 | 125 | 160 | 135 | 142 | 90 | 9 | 9 | 6 | 86 | 88 | 53 | 15.5 | 15 | 3.5 | 5 | 12 | 7.5 | |
| AGF/AGFN 45 | 45 | 900 | 740 | 2200 | 130 | 165 | 140 | 146 | 95 | 9 | 9 | 8 | 86 | 88 | 53 | 15.5 | 15 | 3.5 | 5.5 | 14 | 7.8 | |
| AGF/AGFN 50 | 50 | 1700 | 580 | 1950 | 150 | 185 | 160 | 166 | 110 | 9 | 9 | 8 | 94 | 96 | 64 | 14 | 13 | 4 | 5.5 | 14 | 10.8 | |
| AGF/AGFN 55 | 55 | 2100 | 550 | 1800 | 160 | 204 | 170 | 182 | 115 | 11 | 11 | 8 | 104 | 106 | 66 | 18 | 17 | 4 | 6 | 16 | 14.0 | |
| AGF/AGFN 60 | 60 | 2800 | 530 | 1700 | 170 | 214 | 182 | 192 | 125 | 11 | 11 | 10 | 114 | 116 | 78 | 17 | 16 | 4 | 7 | 18 | 16.8 | |
| AGF/AGFN 70 | 70 | 4600 | 500 | 1600 | 190 | 234 | 202 | 212 | 140 | 11 | 11 | 10 | 134 | 136 | 95 | 18.5 | 17.5 | 4 | 7.5 | 20 | 20.8 | |
| AGF/AGFN 80 | 80 | 6800 | 480 | 1500 | 210 | 254 | 222 | 232 | 160 | 11 | 11 | 10 | 144 | 146 | 100 | 21 | 20 | 4 | 9 | 22 | 27.0 | |
| AGF/AGFN 90 | 90 | 11600 | 450 | 1300 | 230 | 278 | 242 | 254 | 180 | 14 | 13 | 10 | 158 | 160 | 115 | 20.5 | 19 | 4.5 | 9 | 25 | 40.0 | |
| AGF/AGFN 100 | 100 | 16000 | 350 | 1100 | 270 | 335 | 282 | 305 | 210 | 18 | 17.5 | 10 | 182 | 184 | 120 | 30 | 28 | 5 | 10 | 28 | 67.0 | |
| AGF/AGFN 130 | 130 | 25000 | 250 | 900 | 310 | 380 | 322 | 345 | 240 | 18 | 17.5 | 12 | 212 | 214 | 150 | 29 | 27 | 5 | 11 | 32 | 94.0 | |
| AGF/AGFN 150 | 150 | 56000 | 200 | 700 | 400 | 485 | 412 | 445 | 310 | 22 | 21.5 | 12 | 246 | 248 | 180 | 32 | 30 | 5 | 12 | 36 | 187.0 | |

(1) Max. Torque = 2.5 Nom. Torque for brief periods only.
Shaft keyways all to DIN 6885 Sht. 1.

(2) Speeds for oil lubrication.
For grease lubrication x0.55.

Clutches and flanges normally supplied unassembled. If a clutch is required to be supplied assembled, please indicate direction of rotation viewed direction "A".
"R" - inner race overruns clockwise direction.
"L" - inner race overruns anticlockwise direction.

Note:
All clutches are supplied without lubrication, and must be suitably filled prior to operation.
If required, flanges can be supplied separately - Please stipulate flange, clutch size and flange reference:- eg "AGF20F2 flange".