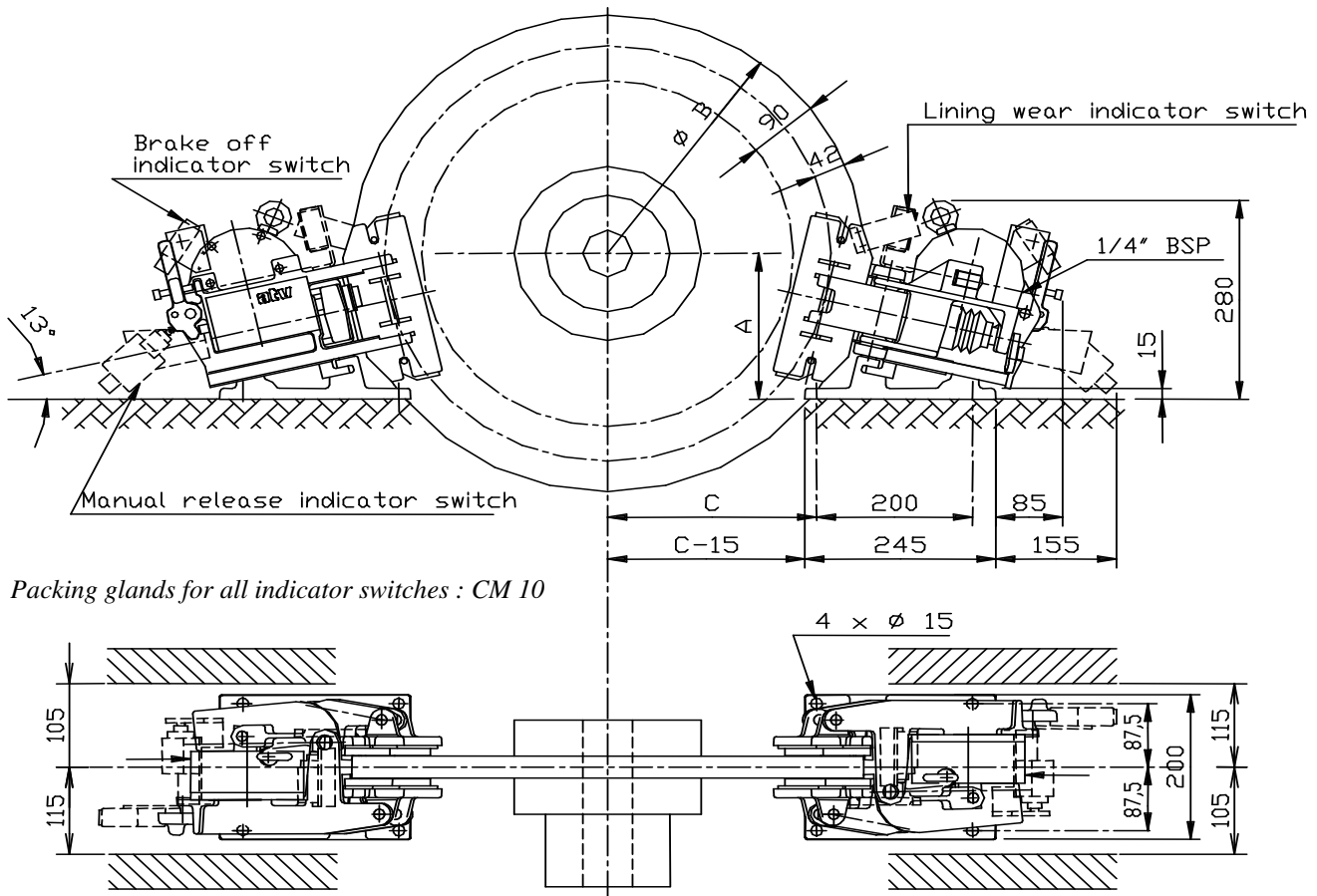


FAIL SAFE BRAKE

Spring braking - Electric release - Disc thickness: 12,7 to 30 mm



Dimensions and Data open to improvement

Without automatic lining wear adjustment (REF : 450 SERM)

With automatic lining wear adjustment (REF : 450 SE)

The brake must work with an automatic power supplier (type ESE or ESP)

Brake disc diameter ØB	mm	315	355	395	445	495	550	625	705	795
Braking torque	N.m	380	450	510	600	680	770	900	1030	1180
Braking force	N	3340 Adjustable from 50% to 100%								
Max Reaction force	N	1 Caliper : 3340 N - 2 Calipers : 1500 N								

CALIPER

Power consumption	W	Release : 1000 W - Hold : 44 W								
Response time	s	0,15								
Weight	kg	34								
A	mm	160	165	170	180	186	195	205	217	231
C	mm	100	120	140	160	190	220	255	296	341

For non standard discs : please contact ATV