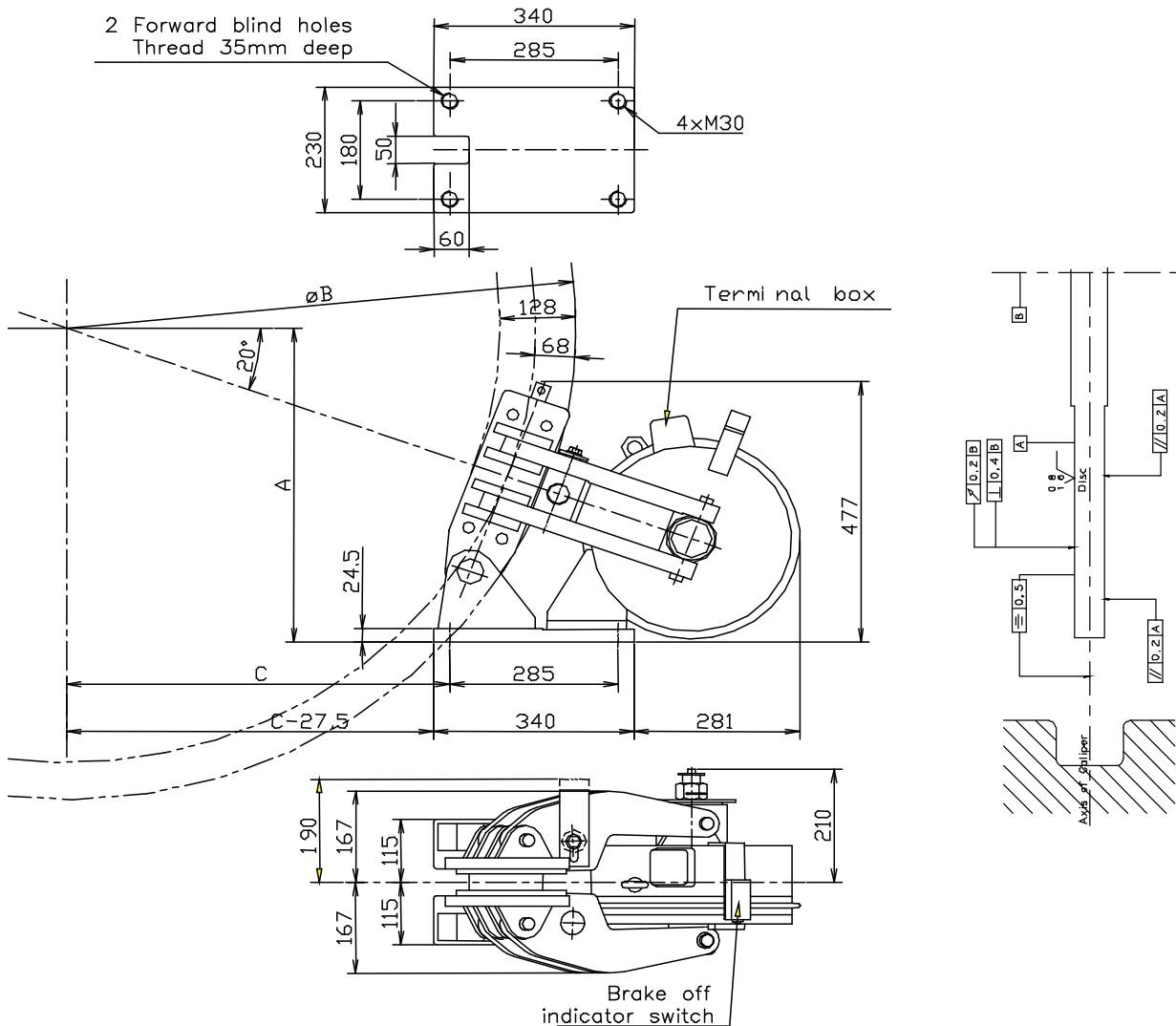


FAIL SAFE DISC BRAKE
Spring braking - Electric release



Braking torque (N.m) = Braking force / 1000 x [(ØB)/2 - 68]

The brake must work with an automatic power supplier (type ESE or ESP)

BRAKING FORCE

N 35 000

CALIPER

Power consumption

W Release : 2830 W - Hold : 160 W

Response time

s 0,2

Weight

kg 194

A mm = (0,171 x ØB) + 279

C mm = (0,470 x ØB) - 161