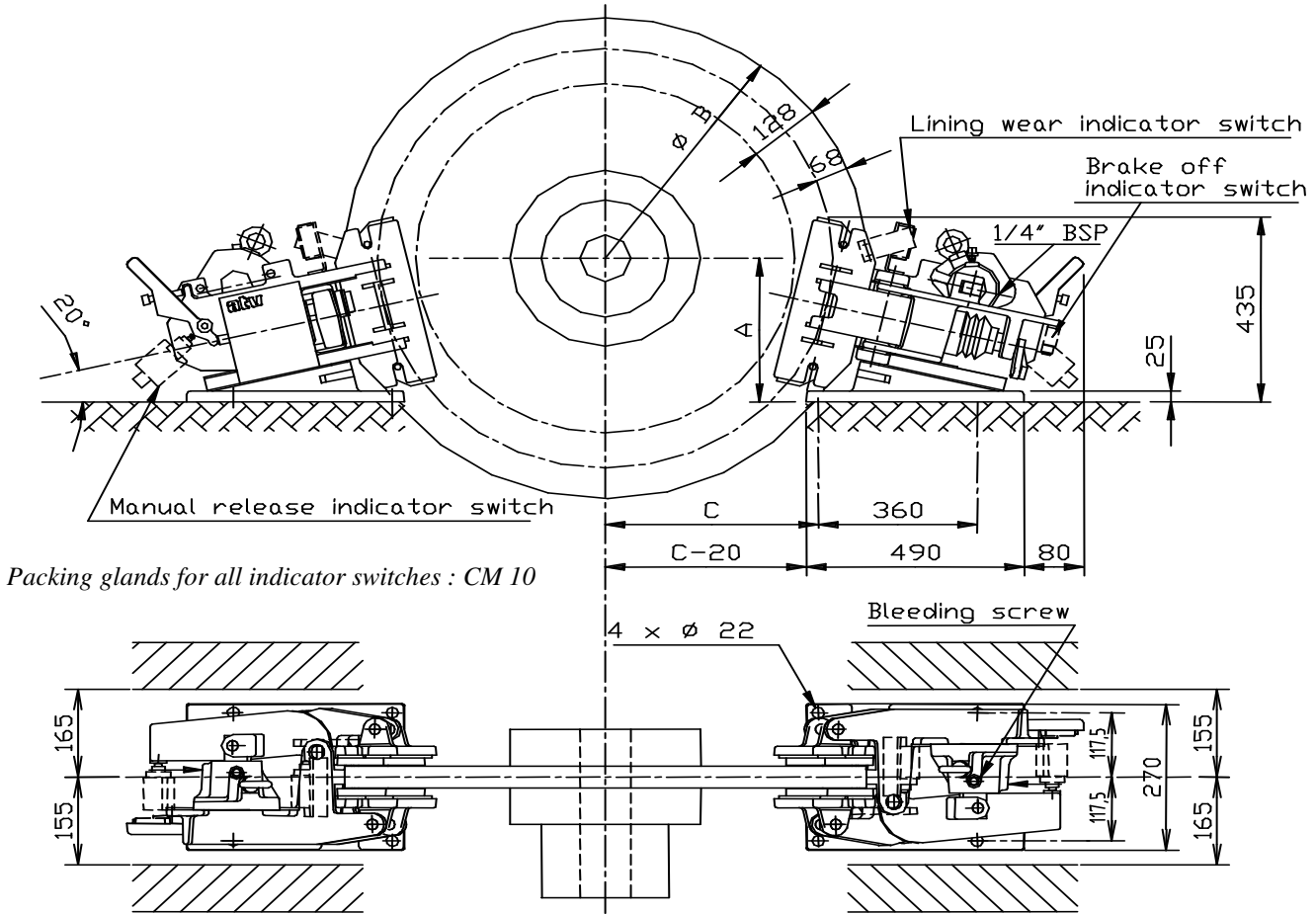


**FAIL SAFE DISC BRAKE**

*Spring braking - Hydraulic release - Disc thickness: 12,7 to 30mm*



Dimensions and Data open to improvement

Packing glands for all indicator switches : CM 10

*Without automatic lining wear adjustment (REF : 3 SHRM)*

*With automatic lining wear adjustment (REF : 3 SH)*

*The brake must work with a hydraulic power unit*

<b>Brake disc diameter ØB</b>	mm	445	495	550	625	705	795
<b>Braking torque</b>	N.m	1600	1820	2100	2500	2900	3350
<b>Braking force</b>	N	10170 <span style="float: right;">Adjustable from 50% à 120%</span>					
<b>Max Reaction force</b>	N	1 Caliper : 12200 N - 2 Calipers : 8350 N					

<b>CALIPER</b>		<i>For non standard discs : please contact ATV</i>					
A	mm	285	294	305	315	330	345
C	mm	100	124	150	185	225	265

<b>Pressure</b>	bar	100
<b>Displaced volume for complete release</b>	cm <sup>3</sup>	8,5
<b>Total cylinder volume</b>	cm <sup>3</sup>	102
<b>Response time</b>	s	0,2
<b>Weight</b>	kg	95