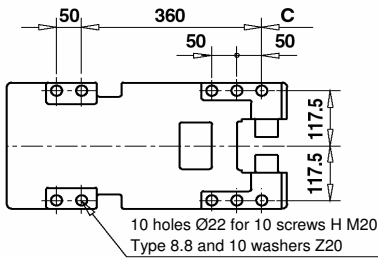


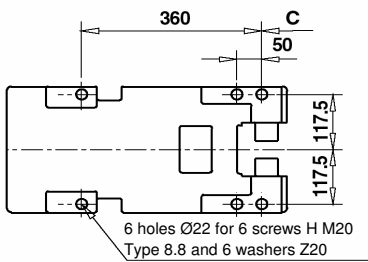
### ELECTRO-HYDRAULIC FAIL-SAFE DISC BRAKE

**Technical data:**

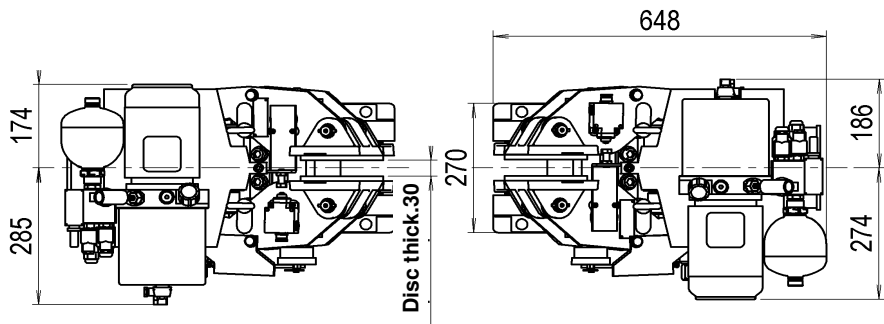
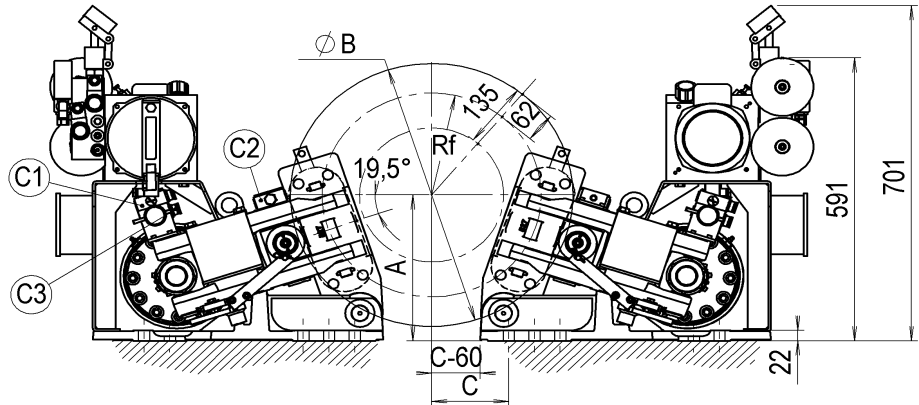
- For emergency stop
- Manual pad wear adjustment and adjustment indicator C3
- Integrated power pack
- Spring braking
- Electric release



Footplate 105SHCI



Footplate 60SHCI



RIGHT HAND CALIPER

LEFT HAND CALIPER

Data subject to modification without prior advice

Disc ØB (mm)		445	495	550	625	705	795	995
Braking torque adjustable from 42%-100%(Nm) with linings "A"	Type 60 SHCI "A"	13 400	15 500	17 900	21 000	24 400	28 100	36 500
	Type 105 SHCI "A"	23 500	27 200	31 300	36 700	42 600	49 200	63 900
Dimensions	A (mm)	285	295	305	315	330	345	380
	C (mm)	100	120	150	185	225	265	365
Friction radius	Rf (mm)	160	185	213	250	290	335	435

**Available options :**

- Position indicator switch C1
- Wear indicator switch C2
- Automatic pad wear adjustment

For mounting on discs sizes different from the chart, apply following formulas:

$$A = \text{ØB} \times 0,167 + 211$$

$$C = \text{ØB} \times 0,473 - 109$$

**Works conditions :**

- Ambient temperature -10°C +40°C
- Relative dampness <70%
- Dusty ambience  $\geq 65\mu$
- Horizontal position
- (For other conditions, contact ATV)

	Type 60 SHCI "A"	Type 105 SHCI "A"
Braking force adjustable from 42%-100% with linings "A"	84 000 N	147 000 N
Max.reaction on the shaft	1 caliper	84 000 N
	2 calipers	56 000 N
Max.stopping rate at 40°C	150	60
Power consumption	0,65 kW	
Response time	0,2 s	
Supply voltage	230 V or 400V. 50Hz Threephase AC	
Weight	135 kg	
Protection	IP 54	